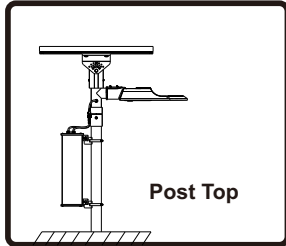
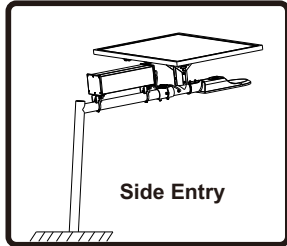
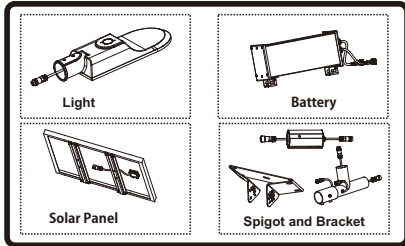
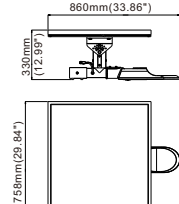
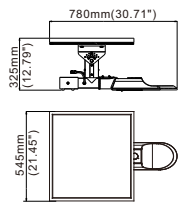


# LED solar street light

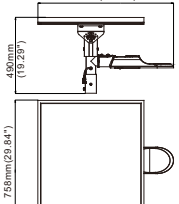
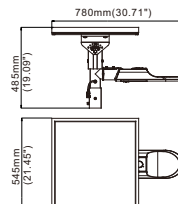
## Installation instruction



### Side Entry

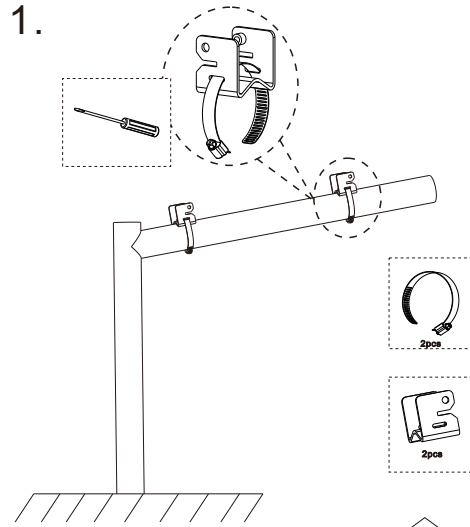


### Post Top



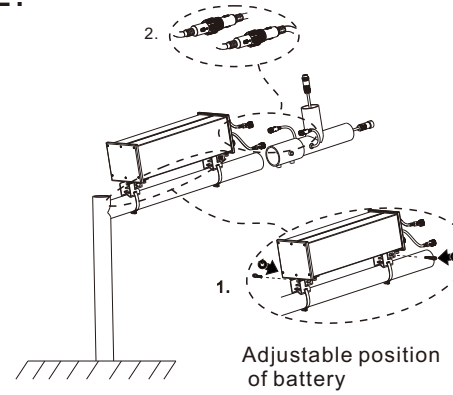
1

### Side Entry



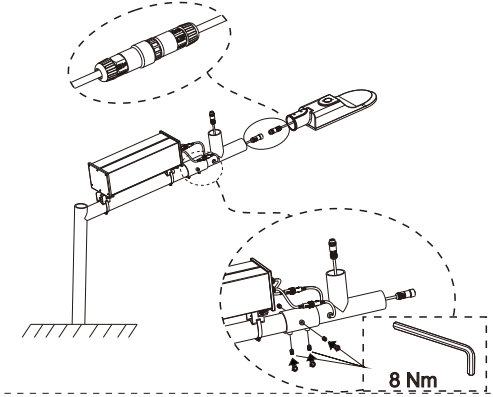
2

2.



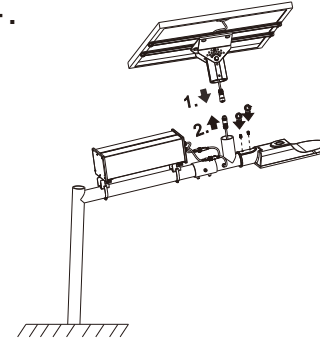
Adjustable position of battery

3.

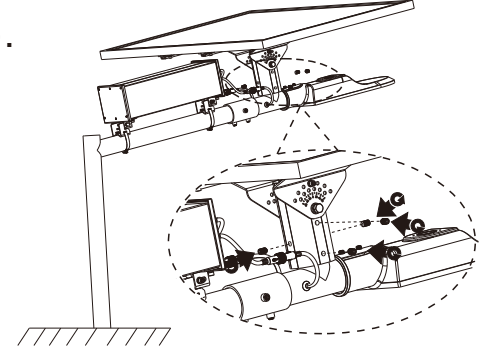


8 Nm

4.

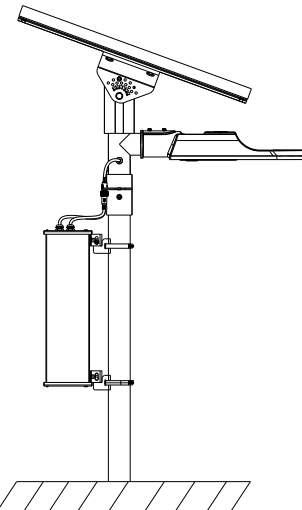


5.

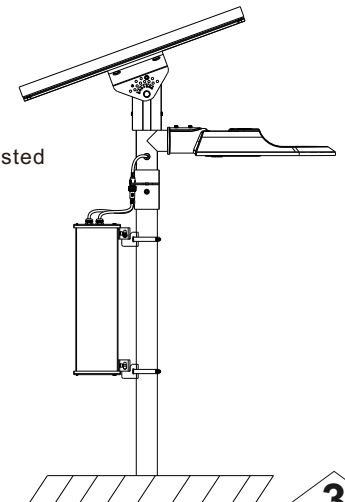
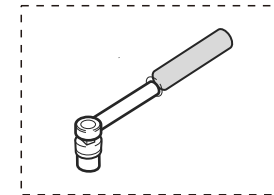


### Notice:

The battery is connected to the lamp and then to the solar panel.

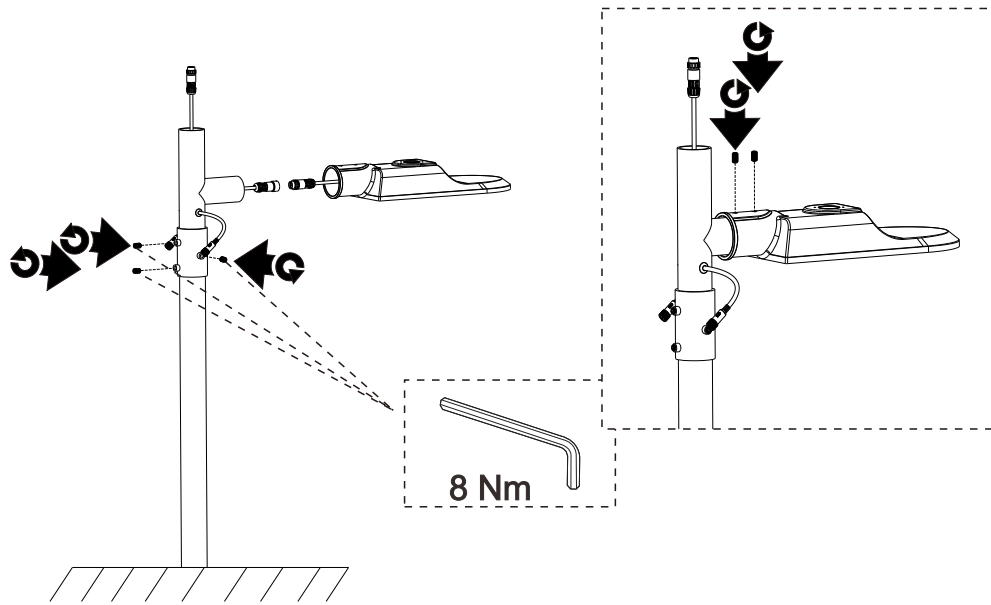


Solar plate can be adjusted to plus or minus 30°



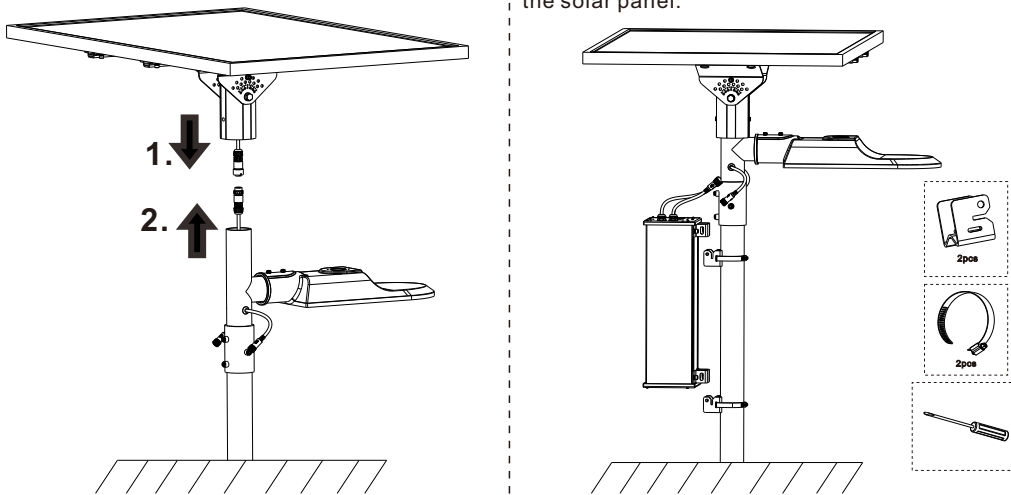
3

## Post top



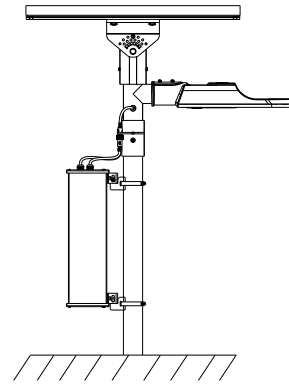
### Notice:

The battery is connected to the lamp and then to the solar panel.



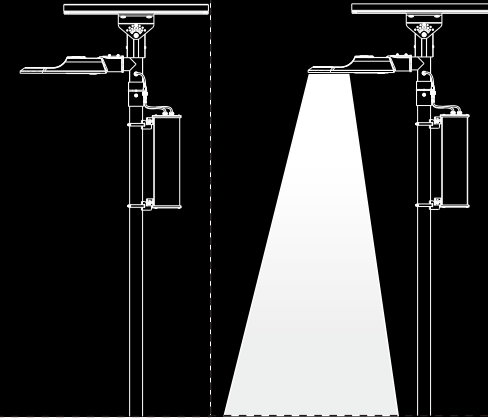
4

## Installation is complete



OFF

ON



Product Specifications	20W	30W
Side Entry (L x W x H)	545x780x325mm (21.45"x30.71"x12.79")	860x758x330mm (33.86"x29.84"x12.99")
Post Top (L x W x H)	545x780x485mm (21.45"x30.71"x19.09")	860x758x490mm (33.86"x29.84"x19.29")
Weight (including battery)	16.0±0.5KG (35.2±1.1lbs)	20.6±0.5KG (45.3±1.1lbs)
Battery(LiFePO4)	25Ah /160Wh	36Ah /230Wh
Solar Panel(Mono-crystallinephotovoltaic)	50W	90W
Working Temperature	-20°C to + 50°C (-4°F to 122°F)	
Storing Temperature	-40°C to + 65°C (-40°F to 149°F)	

Work mode	Description	Time and Power					
		Time	1H	1H	1H	1H	
4H	Light up for 4 hours a day	Power	100%	90%	90%	90%	
		Time	1H	1H	1H	1H	2H
6H	Light up for 6 hours a day	Power	100%	90%	70%	60%	45%
		Time	1H	1H	1H	1H	4H
8H	Light up for 8 hours a day	Power	100%	80%	70%	60%	35%
		Time	1H	1H	1H	1H	6H
10H	Light up for 10 hours a day	Power	100%	70%	60%	50%	30%
		Time	1H	1H	1H	1H	8H
12H	Light up for 12 hours a day	Power	100%	70%	60%	40%	25%
		Time	1H	1H	1H	1H	8H

Light up for 7 continuous rainy days

5